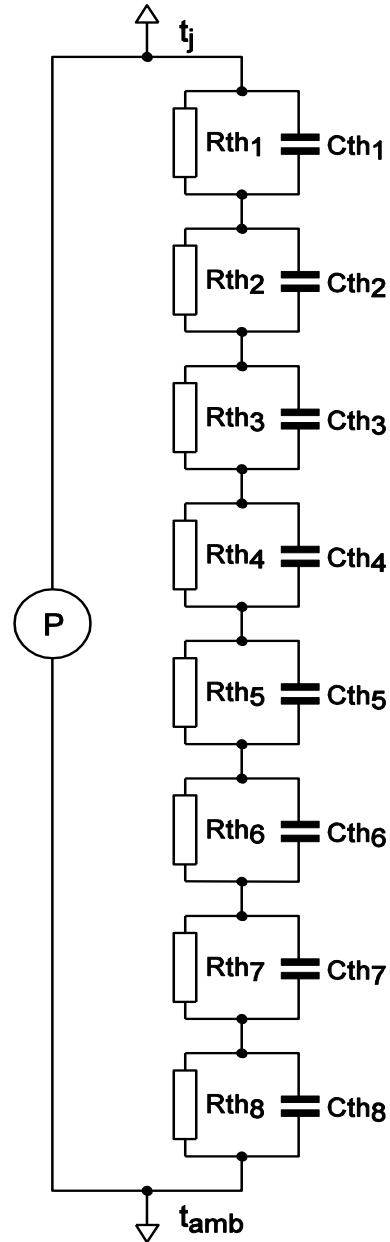


## SPICE thermal model

BUK7Y18-75B

Symbol	Parameter	Conditions	Min	Typ	Max	Unit
$R_{th(j-mb)}$	thermal resistance from junction to mounting base		-	-	1.42	K/W

$C_{th1}$	4.181E-02 F
$C_{th2}$	6.609E-03 F
$C_{th3}$	1.555E-03 F
$C_{th4}$	3.660E-04 F
$C_{th5}$	8.612E-05 F
$C_{th6}$	2.026E-05 F
$C_{th7}$	4.768E-06 F
$C_{th8}$	1.122E-06 F
$R_{th1}$	9.566E-01 $\Omega$
$R_{th2}$	3.520E-01 $\Omega$
$R_{th3}$	8.699E-02 $\Omega$
$R_{th4}$	2.150E-02 $\Omega$
$R_{th5}$	5.313E-03 $\Omega$
$R_{th6}$	1.313E-03 $\Omega$
$R_{th7}$	3.245E-04 $\Omega$
$R_{th8}$	8.021E-05 $\Omega$



001aal768

Part: BUK7Y18-75B  
 Version: 1  
 Date: 23-3-2010  
 Rth: 1.42